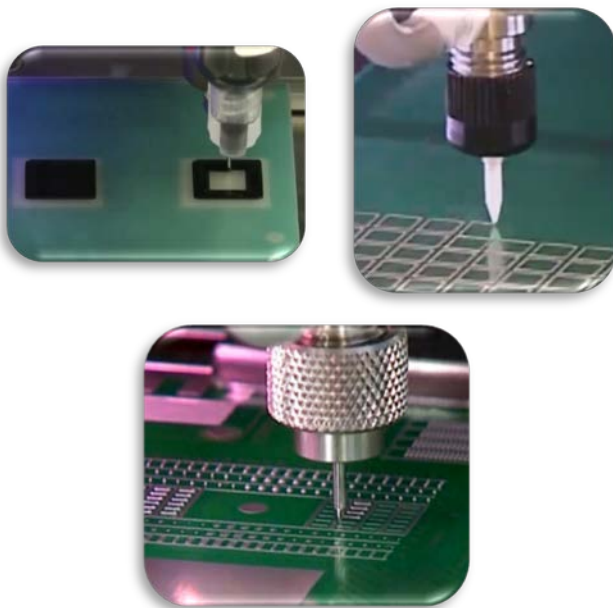


DV-8000C Heli-Flow[®] Pump

Servo-controlled auger pump

Features and Benefits

- Ideal for high-speed dispensing of solder paste, encapsulants, silver epoxy, lid seal, and thermal interface material
- Closed-loop motor control with encoder feedback ensures high repeatability and precision dispense control
- Powerful 11-watt motor and two gear box options (19:1 standard and 4:1 for high flow applications) are designed for use with highly viscous fluids
- Quick release tool-free disassembly of wetted parts for fast and easy cleaning
- Open frame design permits at-a-glance inspection of the seated cartridge
- Cartridges are interchangeable with DV-8000 and 7000 pumps



The DV-8000C Heli-Flow Pump with fixed-head design excels at dispensing high-viscosity fluids and high flow rate for higher speed dispensing.

With interchangeable cartridges, the DV-8000C can be easily configured for a wide variety of applications including solder paste, thermal grease, silver epoxy, lid seal and dam materials.

The cartridge and feedscrew are made of carbide for long-life operation and are interchangeable with DV-8000 and DV-7000 non-footed cartridges.

The quick-release cam lock design securely holds cartridge in place and makes removing the cartridge easy. Simply press the quick release cam lever to remove the needle and cartridge. No tools are required. To use a different fluid type, simply change the cartridge, needle, and disposable fluid line.

DV-8000 Heli-Flow® Pump Specifications and Configurations

Dimensions

Length: 190-192 mm (7.48-7.56 in.)
Width: 33 mm (1.3 in.)
Depth: 72.6 mm (2.86 in.)

Air Pressure Required

34-552 kPa (0.7-5.5 Bar, 5-80 psi)

Motor

Closed-loop control with encoder feedback on the dispensing platform

Encoder Resolution

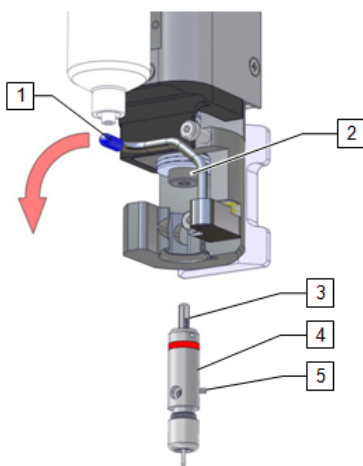
0.0095 degrees of rotation per encoder, providing excellent small-shot resolution

Two Gear Box Options

19:1 standard, 4.4:1 for high flow (200 mg/s) and high viscosity materials

Flow Rate Range

Flow rate depends on fluid, needle, valve speed, and syringe pressure
Minimum volume displacement allows pump to dispense dots smaller than 0.5 mm in diameter
Maximum flow rate capability for damming material is well over 100 mg/s
(viscosity 1 M centipoises, specific gravity 1.76)



Item	Description	Item	Description
1	Release Lever	4	Cartridge
2	Hex Coupler	5	Guide Pin
3	Support Beam		

For more information,
visit our website to
locate your local
representative or
contact your regional
office:

nordsonasymtek.com
info@nordsonasymtek.com

North America

Headquarters
Carlsbad, CA

China

Shanghai
Beijing
Guangzhou
Taipei

EMEA

Deurne, Netherlands

S.E. Asia/Australia

Singapore

Korea

Seoul

Japan

Tokyo

India

Chennai

Nordson ASYMTEK

+1.760.431.1919

2747 Loker Avenue West

Carlsbad, CA, USA 92010-6603

Published 2018-03-21 (Updated)